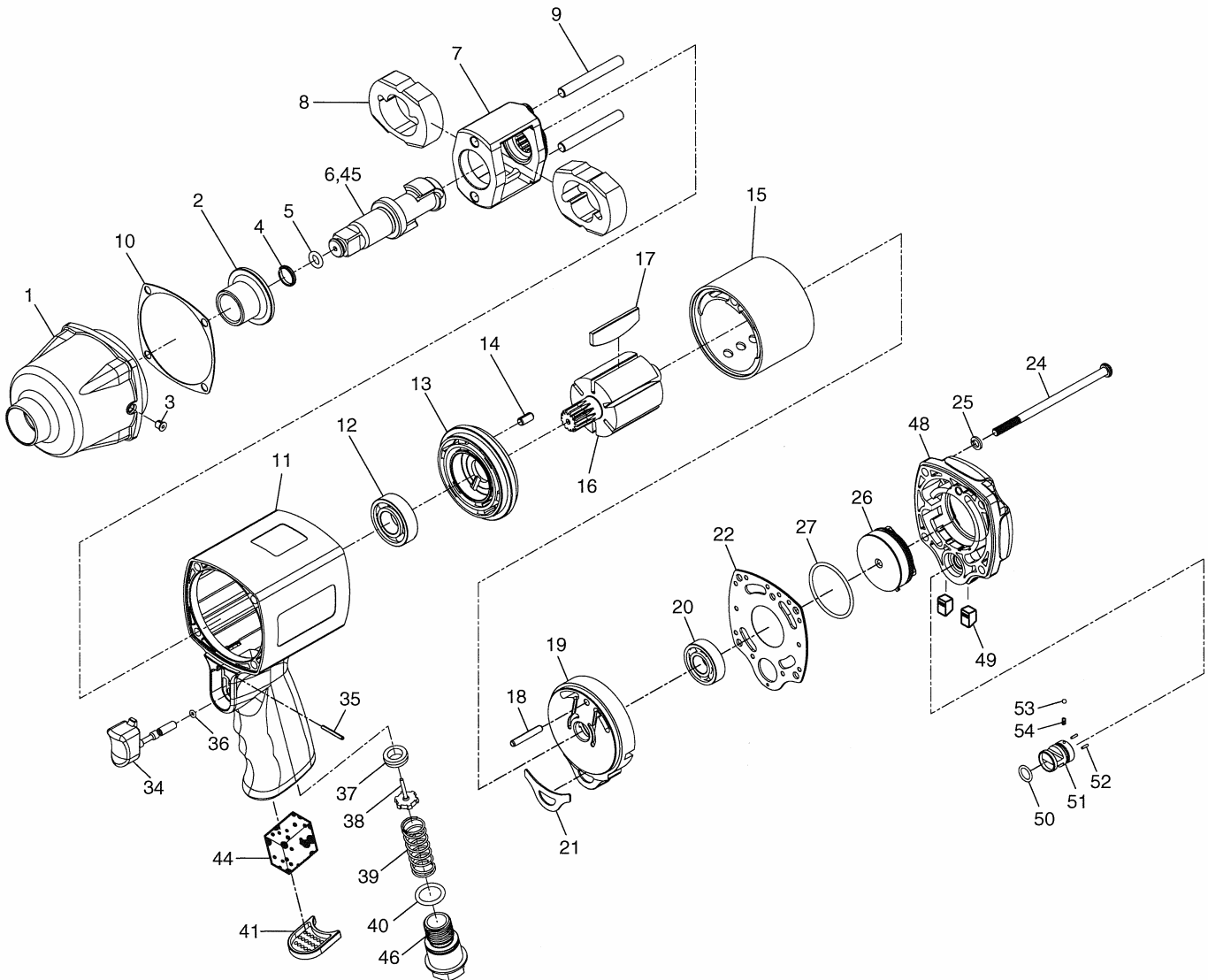


### EXPLODED VIEW



### PARTS LIST

2007.2

◆Parts may be changed with or without notice for improvement.

PARTS No.	NAME OF PARTS	PER SET	PARTS CODE	PARTS No.	NAME OF PARTS	PER SET	PARTS CODE
1	Hammer Case	1	14ME301	24	Torx Screw	4	14ME324
2	Hammer Case Bushing	1	14ME302	25	Spring Washer	4	14ME325
3	Grease Fitting	1	14ME303	26	Regulator Dial	1	14ME326
4	Socket Retainer Ring	1	14ME304	27	O-Ring	1	14ME327
5	O-Ring	1	14ME305	34	Trigger	1	14ME334
6	Anvil Shank (1/2")	1	14ME306	35	Spring Pin	1	14ME335
7	Hammer Frame	1	14ME307	36	O-Ring	1	14ME336
8	Hammer	2	14ME308	37	Valve Seat	1	14ME337
9	Hammer Pin	2	14ME309	38	Valve	1	14ME338
10	Hammer Case Gasket	1	14ME310	39	Valve Spring	1	14ME339
11	Motor Housing	1	14ME311	40	O-Ring	1	14ME340
12	Ball Bearing	1	14ME312	41	Deflector	1	14ME341
13	Front End Plate	1	14ME313	44	Muffler Foam	1	14ME344
14	Spring Pin	1	14ME314	45	2" Long Anvil		14ME345
15	Cylinder w/Sleeve	1	14ME315	46	Inlet Bushing (non-swivel)	1	14ME346
16	Rotor	1	14ME316	48	Housing Cap	1	14ME348
17	Rotor Blade	6	14ME317	49	Push Button	2	14ME349
18	Spring Pin	1	14ME318	50	O-Ring	1	14ME350
19	Rear End Plate with Reverse Bushing	1	14ME319	51	Reverse Valve	2	14ME351
20	Ball Bearing	1	14ME320	52	Needle Pin	1	14ME352
21	Rear End Plate Gasket	1	14ME321	53	Steel Ball	1	14ME353
22	Housing Cap Gasket	1	14ME322	54	Regulator Spring	1	14ME354