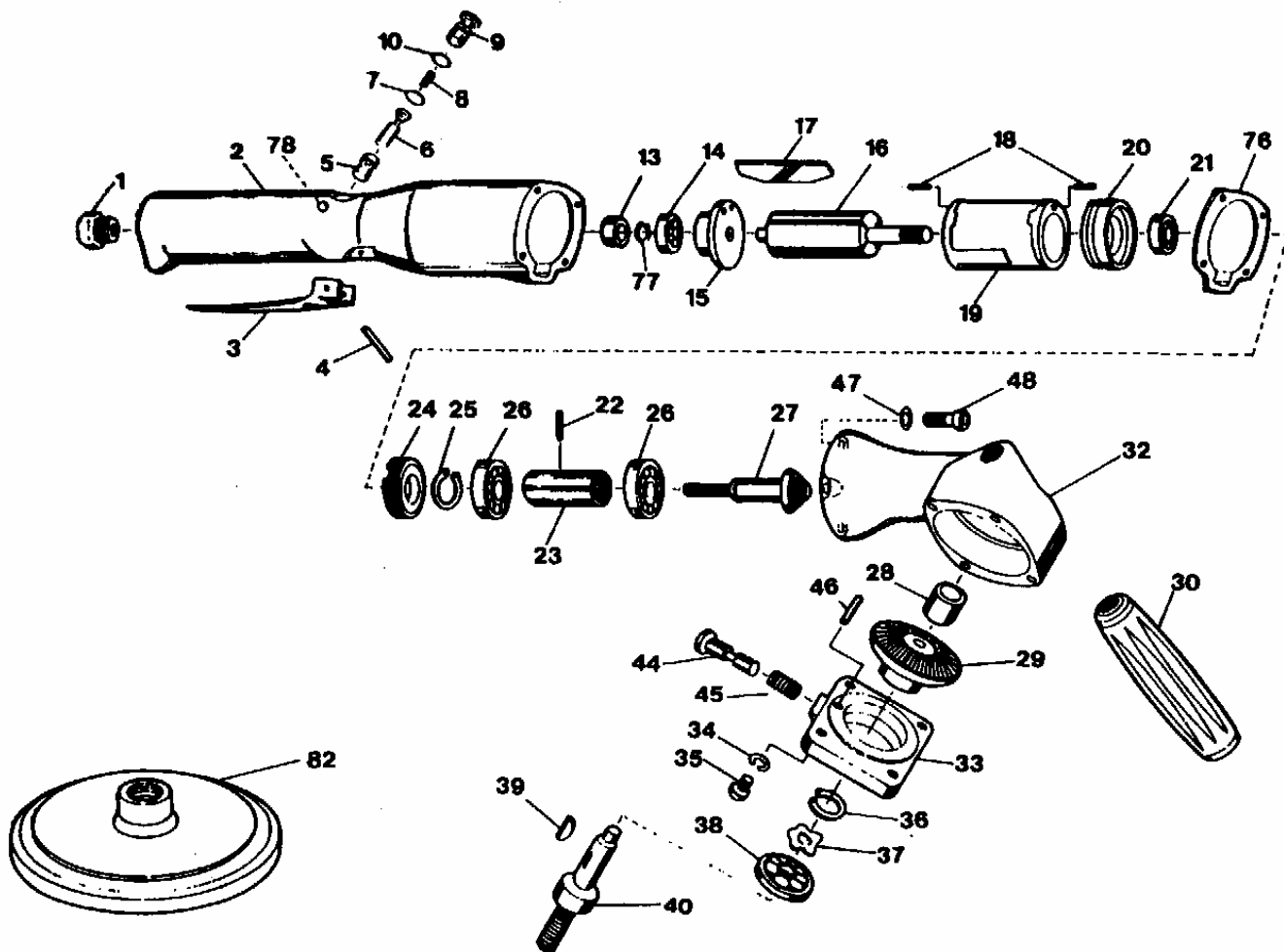




Model No. KPT-37P 8" CAP. ANGLE HEAD POLISHER

EXPLODED VIEW



PARTS LIST

◆Parts may be changed with or without notice for improvement.

PARTS No.	NAME OF PARTS	PER SET	PARTS CODE	ORDER	PARTS No.	NAME OF PARTS	PER SET	PARTS CODE	ORDER
1	Hose Adaptor	1	24701		28	Needle Bearing	1	24728	
2	Motor Housing Assy Incl:5	1	24702		29	Gear	1	24729	
3	Throttle Lever	1	24703		30	Dead Handle	1	24730	
4	Lever Pin	1	24704		32	Angle Housing	1	24732	
5	Valve Bushing	1	24705		33	Lock Ring	1	24733	
6	Valve Stem	1	24706		34	Washer	4	24734	
7	O-Ring	1	24707		35	Screw	4	24735	
8	Spring	1	24708		36	Retaining Ring	1	24736	
9	Air Regulator	1	24709		37	Washer	1	24737	
10	O-Ring	1	24710		38	Ball Bearing	1	24738	
13	Bearing Cap	1	24713		39	Key	1	24739	
14	Ball Bearing	1	24714		40	Spindle	1	24740	
15	Rear End Plate	1	24715		41	Washer	1	24741	
16	Rotor	1	24716		42	Retaining Ring	1	24742	
17	Rotor Blade	4	24717		44	Stopper Pin	1	24744	
18	Roll Pin	2	24718		45	Spring	1	24745	
19	Liner	1	24719		46	Roll Pin	1	24746	
20	Front End Plate	1	24720		47	Lock Washer	4	24747	
21	Ball Bearing	1	24721		48	Screw Cap	4	24748	
22	Roll Pin	1	24722		76	Motor Housing Gasket	1	24776	
23	Coupling	1	24723		77	Retaining Ring	1	24777	
24	Clamp Nut	1	24724		78	Roll Pin	1	24778	
25	Retaining Ring	1	24725		82	7" Polishing Pad	1	24782	
26	Ball Bearing	2	24726						
27	Pinion	1	24727	1					