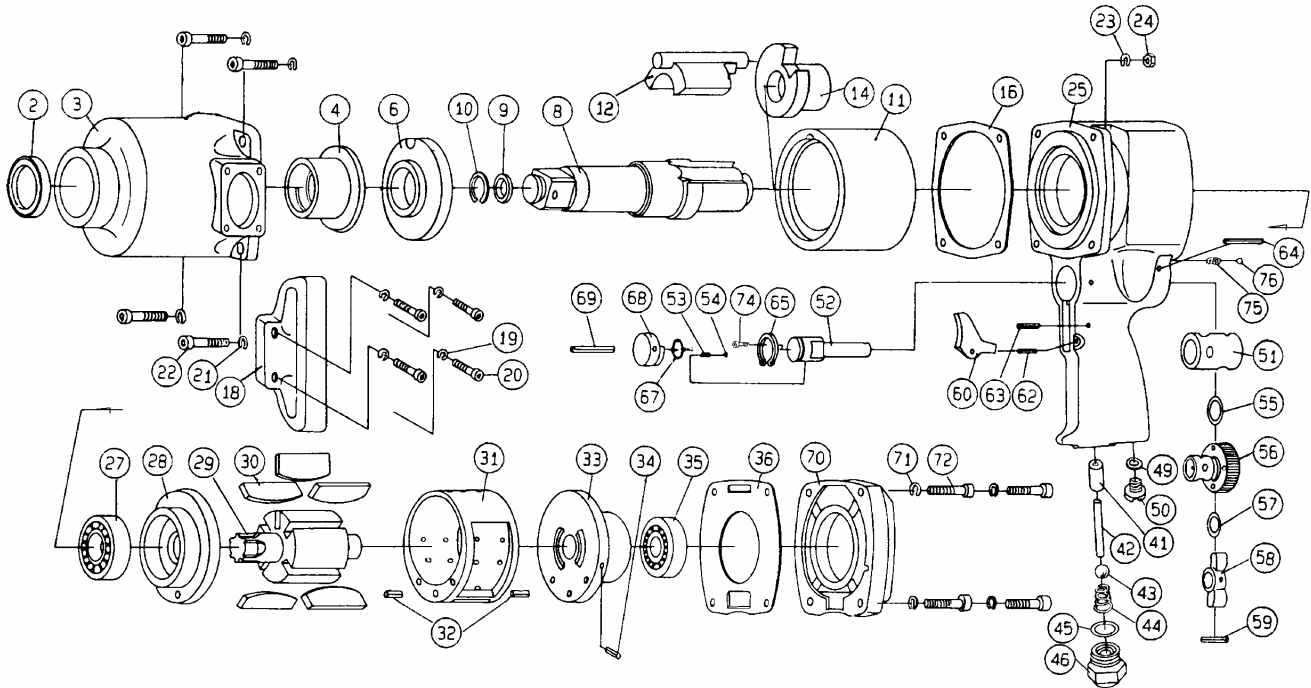


EXPLODED VIEW



PARTS LIST

16/05/2001

◆Parts may be changed with or without notice for improvement.

PARTS No.	NAME OF PARTS	PER SET	PARTS CODE	ORDER	PARTS No.	NAME OF PARTS	PER SET	PARTS CODE	ORDER
2	Oil Seal	1	040525VB		35	Ball Bearing	1	06204000	
3A	Hammer Case Assembly (No. 2~No. 4)		2322511		36	Motor Case Packing	1	23221351	
3	Hammer Case	1	23225370		41	Throttle Bushing	1	10325422	
4	Hammer Case Bushing	1	23225420		42	Throttle Pin	1	10321280	
6	Side Plate	1	23815160		43	Throttle Valve	1	002010GB	
8A	Anvil Assembly (No. 8~No. 10)		2322112		44	Throttle Spring	1	10325232	
8	Anvil (2")	1	23221A20		45	O-Ring	1	001800PR	
8A	8" Anvil Assembly (No. 8~No. 10)		2322512		46	Inlet Bushing	1	10321422	
8	8" Anvil (for 381PL)	1	23225A20		49	O-Ring	1	001000PR	
9	Retainer Ring	1	23225470		50	Oil Plug Screw	1	10325210	
10	O-Ring	1	001400JR		51	Valve Bushing	1	24005421	
11	Hammer Frame	1	23815D00		52	Reverse Valve	1	24005E10	
12	Pin Hammer	1	23265C70		53	Spring	1	10325231	
14	Driver	1	23265C30		54	Steel Ball	1	00400USB	
16	Hammer Case Packing	1	23225350		55	O-Ring	1	001600PR	
18	D-Handle	1	10325C10		56	Adjust Valve	1	24001010	
19	Spring Washer (for D-Handle)	4	006000SW		57	O-Ring	1	001000PR	
20	Hex. Cap Bolt (for D-Handle)	4	006180CB		58	Reverse Lever	1	24005E20	
21	Spring Washer	4	008000SW		59	Spring Pin	1	03016USP	
22	Hex. Cap Bolt	4	008370CB		60	Throttle Lever	1	10321181	
23	Spring Washer	4	008000SW		62	Spring Pin	1	030160SP	
24	Hex. Nut (for Motor Case)	4	00800HNN		63	Spring Pin	1	030220SP	
25A	Motor Case Assembly (No. 23~No. 76)		232212		64	Spring Pin	1	030360SP	
25	Motor Case	1	23221460		65	Stop Ring	1	002201ST	
27	Ball Bearing	1	06205Z00		67	O-Ring	1	002200PR	
28	Front End Plate	1	23225040		68	Stopper Piece	1	23221B30	
29	Rotor	1	23225490		69	Spring Pin	1	040360SP	
30	Vane	5	23225500		70	Case Cover	1	23221A60	
31A	Cylinder Assembly (No. 31, No. 32)		2325523		71	Spring Washer	4	008000SW	
31	Cylinder	1	23225190		72	Hex. Cap Bolt	4	008200CB	
32	Spring Pin	2	060180SP		74	Hex. Cap Bolt	1	004080CB	
33A	Rear End Plate Assembly (No. 33, No. 34)		2325522		75	Spring	1	10325231	
33	Rear End Plate	1	23225050		76	Steel Ball	1	00400USB	
34	Spring Pin	1	040100SP						