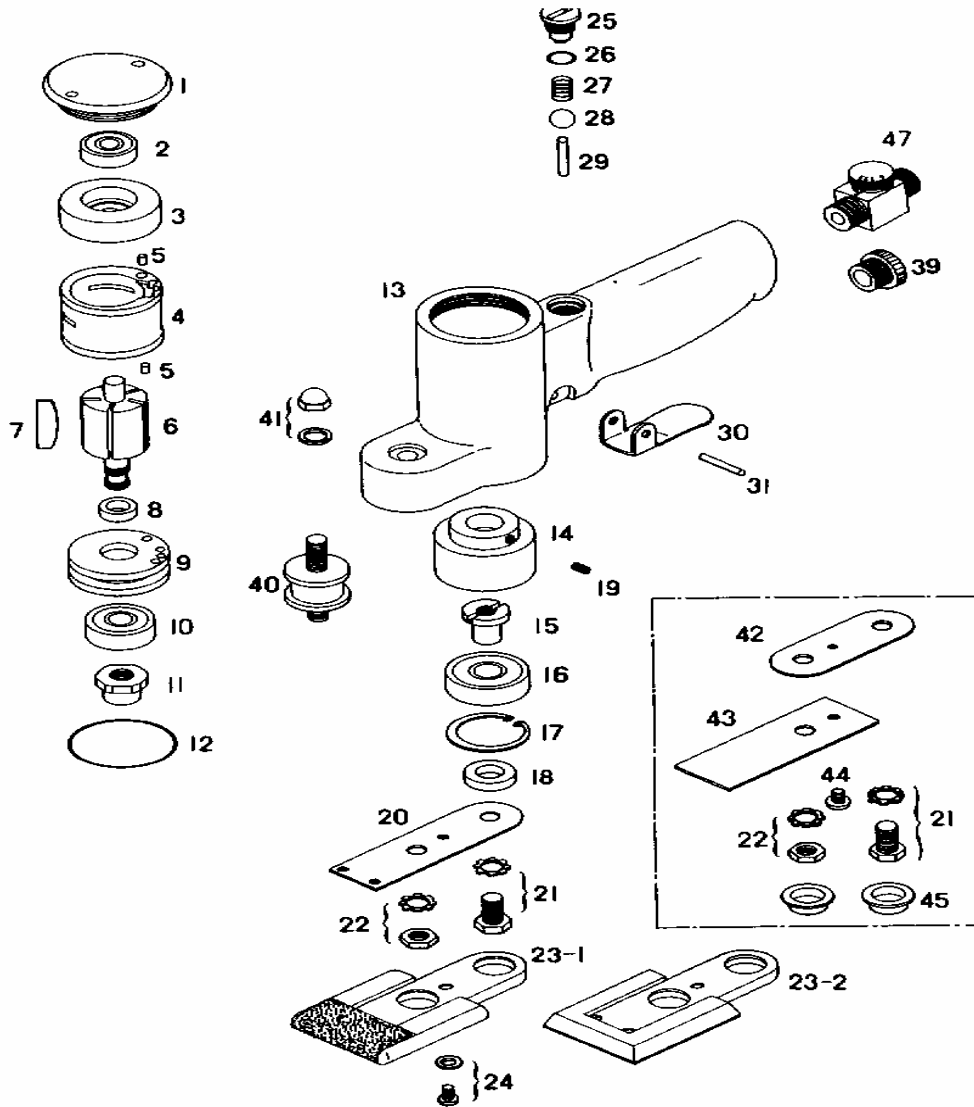


EXPLODED VIEW



PARTS LIST

◆Parts may be changed with or without notice for improvement.

| PARTS No. | NAME OF PARTS | PER SET | PARTS CODE | ORDER | PARTS No. | NAME OF PARTS | PER SET | PARTS CODE | ORDER |
|-----------|----------------|---------|------------|-------|-----------|----------------------|---------|------------|-------|
| 1 | Body Cap | 1 | T870502 | | 22-2 | Washer | 1 | 3406 | |
| 2 | Bearing | 1 | 626ZZ | | 23-1 | Pad A | | T8705111 | |
| 3 | R-Bearing Case | 1 | 21010 | | 23-2 | Pad B | | T8705112 | |
| 4 | Cylinder | 1 | T870102 | | 23-3 | Pad C | | T870517 | |
| 5 | Spring Pin | 2 | 412508 | | 23-4 | Pad D Set | | T870520 | |
| 6 | Rotor | 1 | T870503 | | 23-5 | Pad E | | T870523 | |
| 7 | Vane | 5 | T870104 | | 23-6 | Scraper (L) | | T8705181 | |
| 8 | Rotor Spacer | 1 | T870505 | | 23-7 | Scraper (S) | | T8705181 | |
| 9 | F-Bearing Case | 1 | T870504 | | 24-1 | Screw | 3 | 110404 | |
| 10 | Bearing | 1 | 608ZZ | | 24-2 | Washer | 3 | 3304 | |
| 11 | Lock Nut | 1 | T870506 | | 25 | Valve Cap | 1 | T870510 | |
| 12 | φ32.5 O-Ring | 1 | 26705 | | 26 | O-Ring | 1 | KS06 | |
| 13 | Body | 1 | T8705012 | | 27 | Valve Spring | 1 | 25814 | |
| 14 | Shaft Head | 1 | T870507 | | 28 | Valve Ball | 1 | 25813B | |
| 15 | Pad Retainer | 1 | T870508 | | 29 | Valve Pin | 1 | 420318 | |
| 16 | Bearing | 1 | 6000DD | | 30 | Valve Lever | 1 | 21511 | |
| 17 | Snap Ring | 1 | R26 | | 31 | Spring Pin | 1 | 410320 | |
| 18 | Spacer | 1 | 21228 | | 39 | Silencer | 1 | T870107 | |
| 19 | Set Screw | 2 | 170405 | | 40 | Support | 1 | T870512 | |
| 20 | Shoe | 1 | T870509 | | 41-1 | Domend Cap Nut | 1 | 2606 | |
| 21-1 | Bolt | 1 | 160612 | | 41-2 | Washer | 1 | 3206 | |
| 21-2 | Washer | 1 | 3406 | | 42 | Shoe for Scraper (S) | 1 | T8705092 | |
| 22-1 | Nut | 1 | 2306 | | 47 | Regulator | 1 | | |