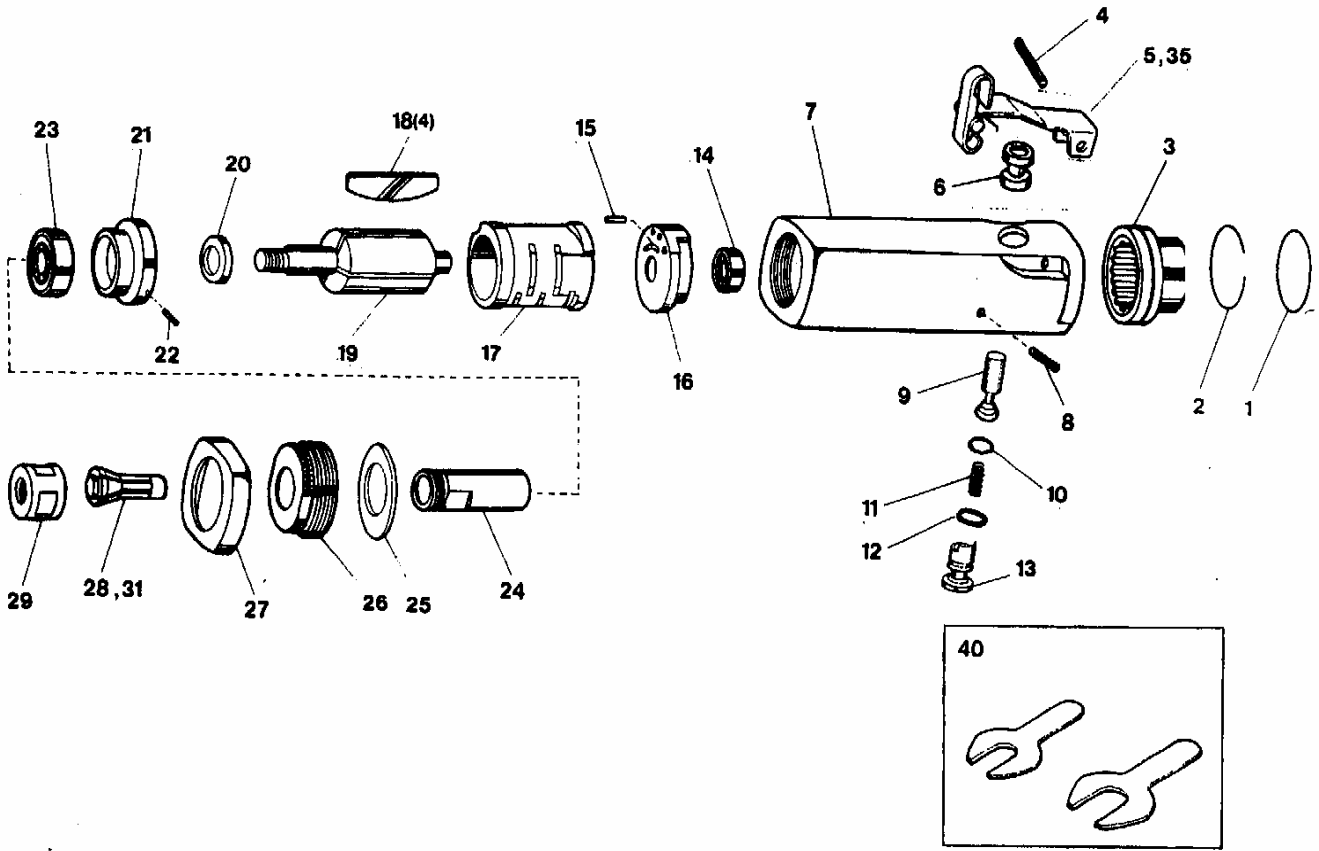




Model No. KPT-1240S

1/4" Air Die Grinder

EXPLODED VIEW



PARTS LIST

◆Parts may be changed with or without notice for improvement.

PARTS No.	NAME OF PARTS	PER SET	PARTS CODE	ORDER	PARTS No.	NAME OF PARTS	PER SET	PARTS CODE	ORDER
1	O-Ring	1			26	Retainer	1		
2	Socket Ret. Ring	1			27	Housing Cap	1		
3	Exhaust Sleeve	1			28	Collet (1/4)	1		
4	Roll Pin	1			29	Collet Nut	1		
5	Throttle Lever	1			31	Collet (6mm)	1		
6	Valve Bushing	1			35	Safety Lever	1		
7	Motor Housing Assy incl:6	1			40	Spanner Wrench (11mm, 17mm)	1+1		
8	Roll Pin	1							
9	Valve Stem	1							
10	O-Ring	1							
11	Spring	1							
12	O-Ring	1							
13	Regulator Valve	1							
14	Ball Bearing	1							
15	Motor Pin	1							
16	Rear End Plate	1							
17	Cylinder	1							
18	Rotor Blade	4							
19	Rotor	1							
20	Spacer	1							
21	Front End Plate	1							
22	Pin	1							
23	Ball Bearing	1							
24	Collet Body	1							
25	Washer	1							