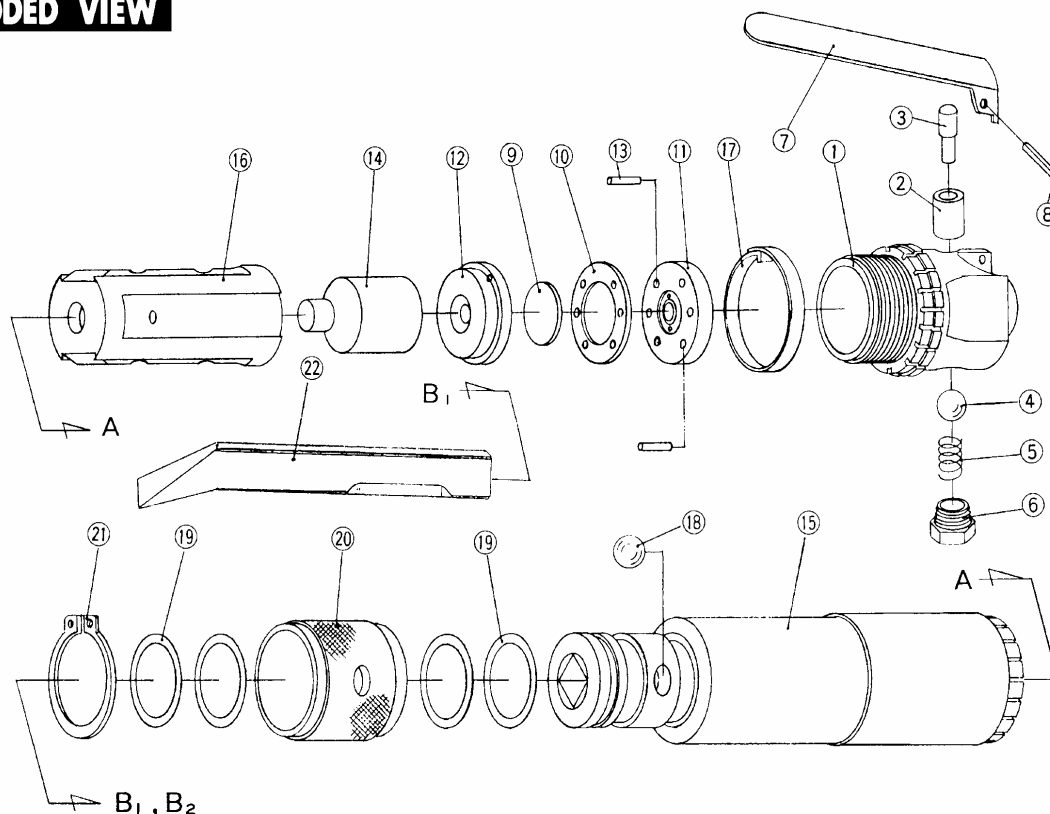
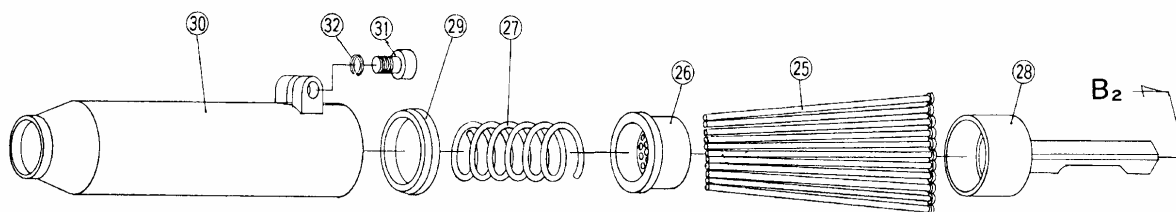


EXPLODED VIEW



NEEDLE ATTACHMENT



PARTS LIST

16/05/2001

◆Parts may be changed with or without notice for improvement.

PARTS No.	NAME OF PARTS	PER SET	PARTS CODE	ORDER	PARTS No.	NAME OF PARTS	PER SET	PARTS CODE	ORDER
1	Cylinder Cap	1	F25C-H40		18	Steel Ball	1	016070SB	
1A	Cylinder Cap Assy (No. 1~No. 8)				19	O-Ring	4	002400PR	
2	Throttle Bushing	1	F25C-420		20	Chisel Cover	1	F25C-J90	
3	Throttle Rod	1	F25C-280		21	Snap Ring	1	003000ST	
4	Ball	1	008030GB		22	Chisel	1	----	
5	Spring	1	F25C-230		NEEDLE ATTACHMENT (for F6)				
6	Throttle Cap	1	F25C-130						
7	Throttle Lever	1	F25C-270		Needle Attachment Assy (No. 25~No. 32)				
8	Spring Pin	1	030200SP		25	Needle (3mm)	19	F25CNK20	
9	Main Valve	1	F25C-L30		25	Needle (2mm)	(35)	F25CNK19	
9A	Main Valve Assy (No. 9~No. 13)				26	Needle Guide (for 3mm)	1	F25CNK30	
10	Main Valve Case	1	F25C-L40		26	Needle Guide (for 2mm)	(1)	F25CNK31	
11	Upper Main Valve	1	F25C-L31		27	Spring	1	F25CN230	
12	Lower Main Valve	1	F25C-L32		28	Needle Shank	1	F25CNK00	
13	14SHM11	2	F25C-410		29	Spring Receiver	1	F25CN240	
14	Piston	1	F25C-400		30	Needle Cover	1	F25CN070	
15	Cylinder Body	1	F25C-H50		30A	Needle Cover Assy (No. 29~No. 32)			
15A	Cylinder Body Assy (No. 15, No. 16)				31	Hex. Cap Bolt	1	008200CB	
16	Piston Sleeve	1	F25C-L00		32	Spring Washer	1	008000SW	
17	Housing cap Gasket	1	F25C-L60						