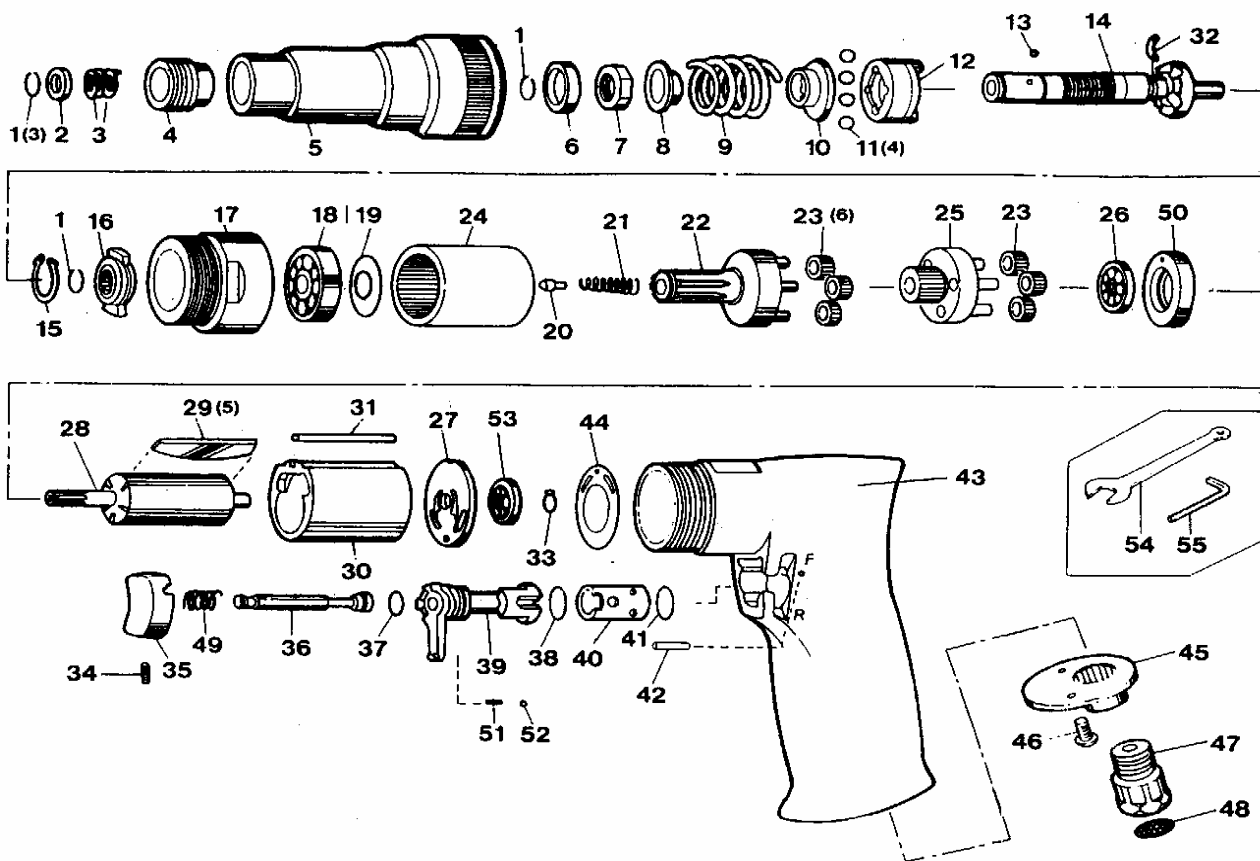




Model No. KPT-SD150

1/4" 800 RPM SCREW DRIVER

—PISTOL TYPE—



PARTS LIST

◆Parts may be changed with or without notice for improvement.

PARTS No.	NAME OF PARTS	PER SET	PARTS CODE	ORDER	PARTS No.	NAME OF PARTS	PER SET	PARTS CODE	ORDER
1	Retaining Ring	3	81201		29	Rotor Blade	5	81229	
2	Washer	1	81202		30	Cylinder	1	81230	
3	Spring	1	81203		31	Cylinder Pin	1	81231	
4	Ball Bearing	1	81204		32	Wire	1	81232	
5	Clutch Housing	1	81205		33	Retaining Ring	1	81233	
6	Spacer	1	81206		34	Set Screw	1	81234	
7	Adjust Nut	1	81207		35	Trigger	1	81235	
8	Washer	1	81208		36	Valve Stem	1	81236	
9	Clutch Spring	1	81209		37	O-Ring	1	81237	
10	Thrust Washer	1	81210		38	O-Ring	1	81238	
11	Steel Ball	1	81211		39	Reverse Lever	1	81239	
12	Clutch Corner	1	81212		40	Reverse Bushing	1	81240	
13	Steel Ball	4	81213		41	O-Ring	1	81241	
14	Work Spindle	1	81214		42	Pin	1	81242	
15	Retaining Ring	1	81215		43	Motor Housing	1	81243	
16	Dog	1	81216		44	Gasket	1	81244	
17	Clamp Nut	1	81217		45	Exhaust Defuser	1	81245	
18	Ball Bearing	1	81218		46	Screw	2	81246	
19	Seal Plate	1	81219		47	Air Inlet	1	81247	
20	Spring Guide	1	81220		48	Air Screen	1	81248	
21	Spring	1	81221		49	Spring	1	81249	
22	Work Spindle	1	81222		50	Front End Plate	1	81250	
23	Planet Gear	6	81223		51	Spring	1	81251	
24	Internal Gear	1	81224		52	Steel Ball	1	81252	
25	Gear Cage	1	81225		53	Ball Bearing	1	81253	
26	Ball Bearing	1	81226		54	Spanner Wrench	1	81254	
27	Rear End Plate	1	81227		55	Allen Wrench	1	81255	
28	Rotor	1	81228						