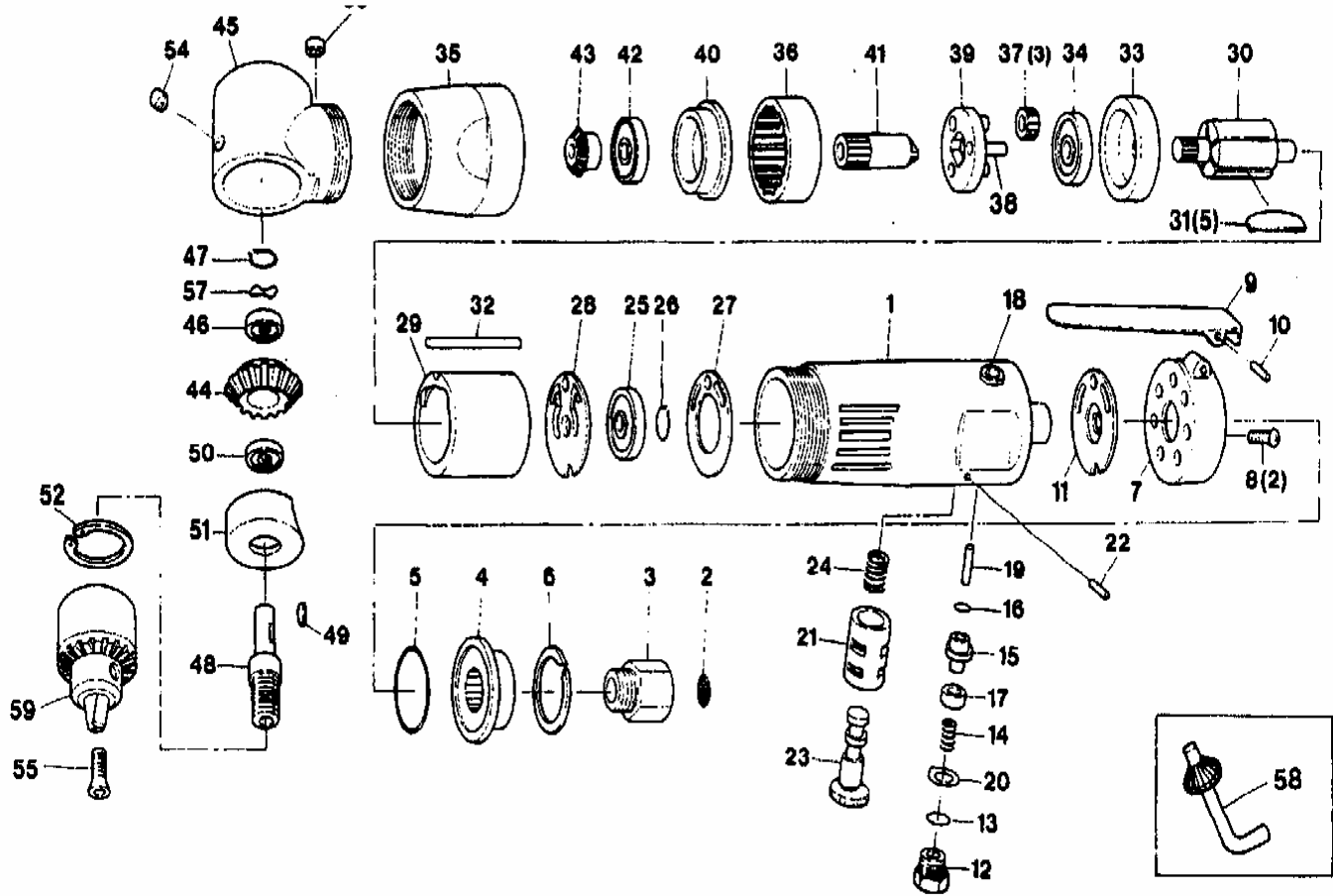




Model No. KPT-64ADR

3/8" REVERSIBLE ANGLE HEAD DRILL



PARTS LIST

◆Parts may be changed with or without notice for improvement.

PARTS No.	NAME OF PARTS	PER SET	PARTS CODE	ORDER	PARTS No.	NAME OF PARTS	PER SET	PARTS CODE	ORDER
1	Motor Housing Assy Incl:18,21	1	510AH01		30	Rotor	1	510AH30	
2	Screen	1	510AH02		31	Rotor Blade	5	510AH31	
3	Inlet Bushing	1	510AH03		32	Motor Pin	1	510AH32	
4	Deflector	1	510AH04		33	Front End Plate	1	510AH33	
5	O-Ring	1	510AH05		34	Ball Bearing	1	510AH34	
6	Deflector Stop Ring	1	510AH06		35	Lock Ring	1	510AH35	
7	Housing Cap	1	510AH07		36	Internal Gear	1	510AH36	
8	Screw	2	510AH08		37	Planet Gear	3	510AH37	
9	Throttle Lever	1	510AH09		39	Cage Assy Incl:38	1	510AH39	
10	Spring Pin	1	510AH10		40	Spacer	1	510AH40	
11	Housing Gasket	1	510AH11		41	Gear Spindle	1	510AH41	
12	Valve Screw	1	510AH12		42	Ball Bearing	1	510AH42	
13	O-Ring	1	510AH13		43	Pinion	1	510AH43	
14	Valve Spring	1	510AH14		44	Gear	1	510AH44	
15	Valve	1	510AH15		45	Angle Housing	1	510AH45	
16	O-Ring	1	510AH16		46	Ball Bearing	1	510AH46	
17	O-Ring Retainer	1	510AH17		47	Retainer Ring	1	510AH47	
18	Valve Bushing	1	510AH18		48	Spindle	1	510AH48	
19	Valve Pin	1	510AH19		49	Key	1	510AH49	
20	Reverse Retainer	1	510AH20		50	Ball Bearing	1	510AH50	
21	Reverse Bushing	1	510AH21		51	Bearing Case	1	510AH51	
22	Spring Pin	1	510AH22		52	Retainer Ring	1	510AH52	
23	Reverse Valve	1	510AH23		53	Ball Cap	1	510AH53	
24	Reverse Spring	1	510AH24		54	Set Screw	1	510AH54	
25	Ball Bearing	1	510AH25		55	Screw	1	510AH55	
26	Retainer Ring	1	510AH26		57	Wave Washer	1	510AH57	
27	Motor Gasket	1	510AH27		58	Chuck Key	1	510AH58	
28	Rear End Plate	1	510AH28		59	3/8" Drill Chuck	1	510AH59	
29	Cylinder	1	510AH29						