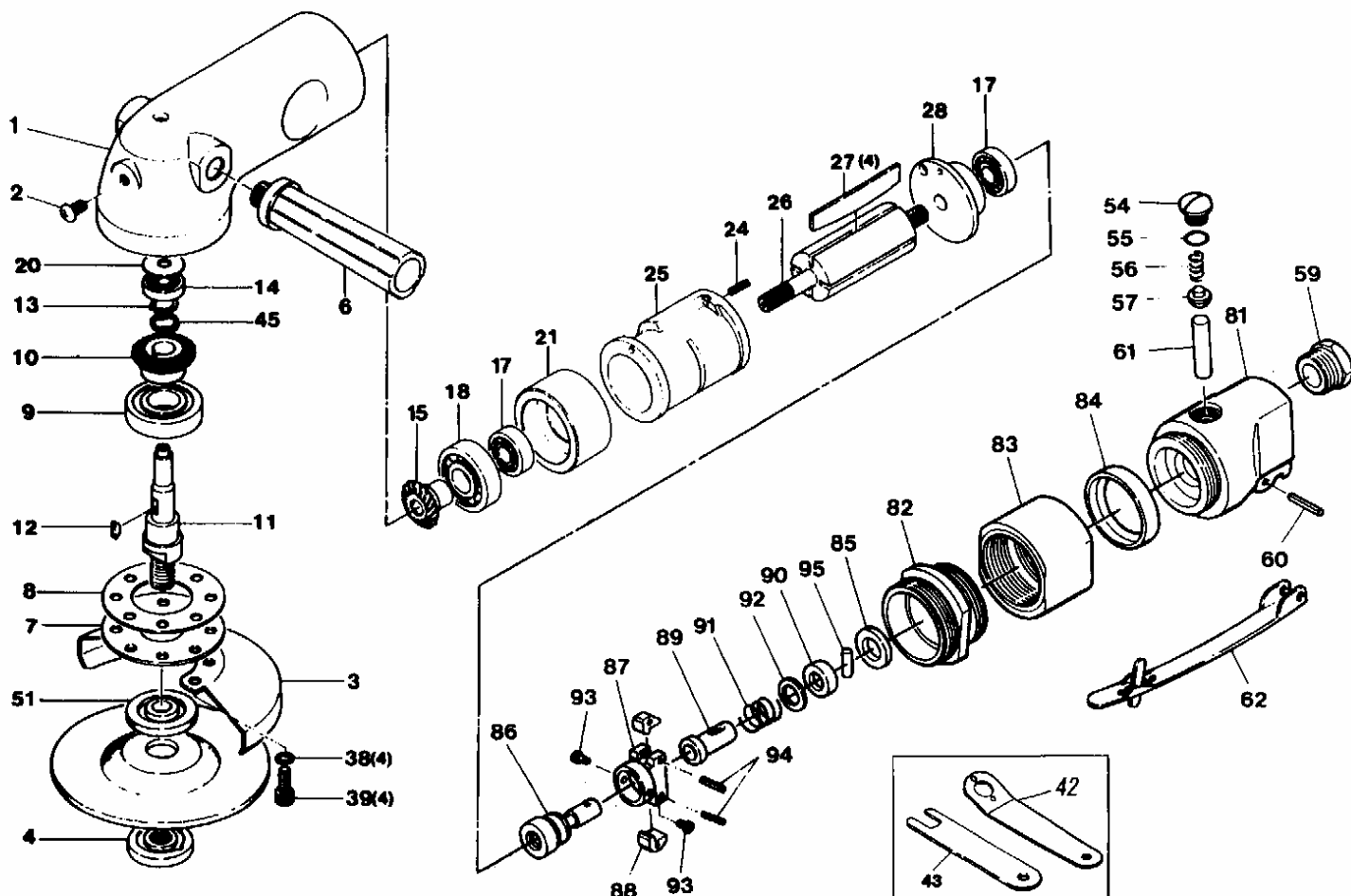


# Model No. KPT-100A

## 4" ANGLE GRINDER —LEVER TYPE—

### EXPLODED VIEW



### PARTS LIST

◆Parts may be changed with or without notice for improvement.

PARTS No.	NAME OF PARTS	PER SET	PARTS CODE	ORDER	PARTS No.	NAME OF PARTS	PER SET	PARTS CODE	ORDER
1	Body	1	25401		43	Stop Spanner	1	25443	
2	Screw	1	25402		45	Wave Washer	1	25445	
3	Disc Cover	1	25403		51	Disc Receiver (Steel)	1	25451	
4	Disc Nut	1	25404		54	Valve Nut	1	25454	
6	Grip	1	25406		55	O-Ring	1	25455	
7	Retainer	1	25407		56	Valve Spring	1	25456	
8	Gasket	1	25408		57	Valve Ball	1	25457	
9	Bearing	1	25409		59	Bushing	1	25459	
10	Bevel Gear	1	25410		60	Pin	1	25460	
11	Gear Shaft	1	25411		61	Valve Pin	1	25461	
12	Key	1	25412		62	Throttle Lever	1	25462	
13	Ret. Ring	1	25413		81	Valve Housing	1	25481	
14	Bearing	1	25414		82	Lock Ring	1	25482	
15	Pinion	1	254BC		83	Coupling	1	25483	
17	Bearing	2	25417		84	Spacer	1	25484	
18	Bearing	1	25418		85	Governor Sheet	1	25485	
20	Spacer	1	25420		86	Governor Shaft	1	25486	
21	Front Plate	1	25421		87	Governor	1	25487	
24	Spring Pin	1	25424		88	Pendulum	2	25488	
25	Cylinder	1	25425		89	Governor Sleeve	1	25489	
26	Rotor	1	25426		90	Washer	1	25490	
27	Rotor Blade	4	25427		91	Adjust Spring	1	25491	
28	Rear Case	1	25428		92	Adjust Ring (0.5mm)	(0-2)	25492	
38	Washer	4	25438		93	Set Screw	2	25493	
39	Screw	4	25439		94	Spring Pin	2	25494	
42	Disc Wrench	1	25442		95	Pin	1	25495	