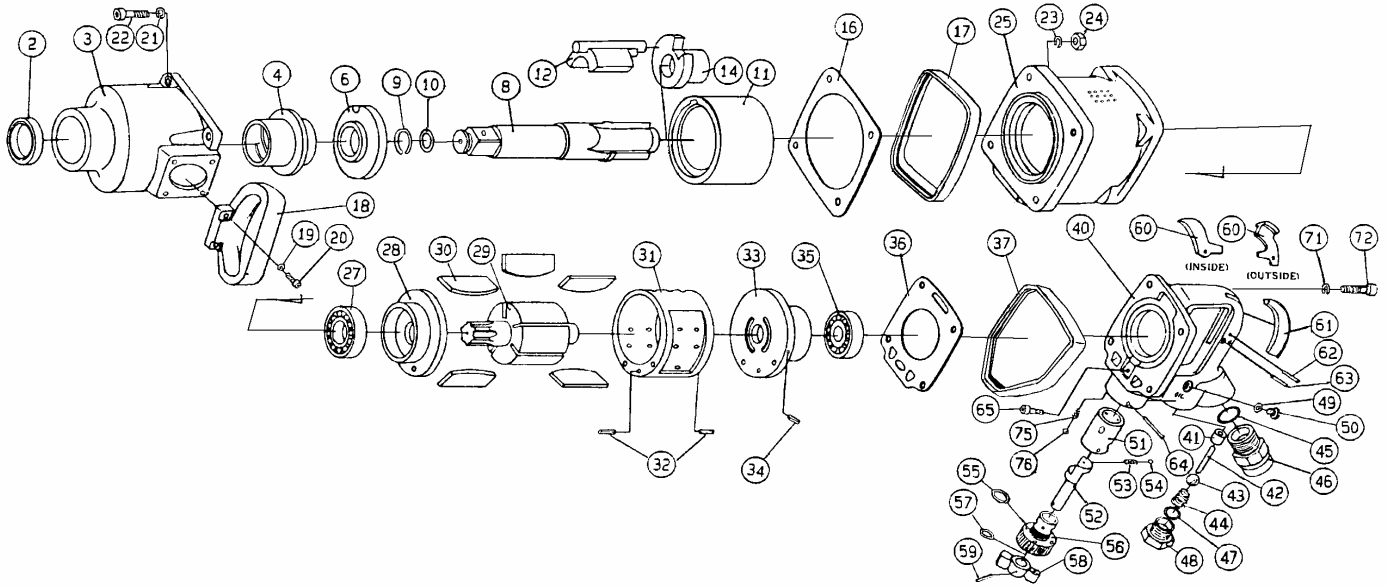


### EXPLODED VIEW



### PARTS LIST

16/05/2001

◆Parts may be changed with or without notice for improvement.

PARTS No.	NAME OF PARTS	PER SET	PARTS CODE	ORDER	PARTS No.	NAME OF PARTS	PER SET	PARTS CODE	ORDER
2	Oil Seal	1	040525VB		37	Rear Protect Rubber	1	23225D50	
3A	Hammer Case Assembly (No. 2~No. 4)		2322511		40A	Outside Lever Frame Handle Assembly (No. 40~No. 60, No. 62~No. 76)		232253	
3	Hammer Case	1	23225370		40A	Inside Lever Frame Handle Assembly (No. 40~No. 76)		232263	
4	Hammer Case Bushing	1	23225420		40	Frame Handle	1	23225D40	
6	Side Plate	1	23815160		41	Throttle Bushing	1	23225422	
8A	Anvil Assembly (No. 8~No. 10)		2322512		42	Throttle Pin	1	23225280	
8	Anvil (8")	1	23225A20		43	Throttle Valve	1	002010GB	
8A	2" Anvil Assembly (No. 8~No. 10)		2322112		44	Throttle Spring	1	10325232	
8	2" Anvil (for 381S)	1	23221A20		45	O-Ring	1	002500GR	
9	Retainer Ring	1	23225470		46	Inlet Bushing	1	24005423	
10	O-Ring	1	001400JR		47	O-Ring	1	002100PR	
11	Hammer Frame	1	23815D00		48	Throttle Plug	1	10325D30	
12	Pin Hammer	1	23265C70		49	O-Ring	1	001000PR	
14	Driver	1	23265C30		50	Oil Plug Screw	1	10325210	
16	Hammer Case Packing	1	23225350		51	Valve Bushing	1	23225421	
17	Front Protect Rubber	1	10325D50		52	Reverse Valve	1	23225E10	
18	D-Handle	1	10325C10		53	Spring	1	10325231	
19	Spring Washer (for D-Handle)	4	006000SW		54	Steel Ball	1	00400USB	
20	Hex. Cap Bolt (for D-Handle)	4	006180CB		55	O-Ring	1	001600PR	
21	Spring Washer	4	008000SW		56	Adjust Valve	1	23225010	
22	Hex. Cap Bolt	4	008370CB		57	O-Ring	1	001000PR	
23	Spring Washer	4	008000SW		58	Reverse Lever	1	24005E20	
24	Hex. Nut (for Motor Case)	4	00800HNN		59	Spring Pin	1	03016JUSP	
25A	Motor Case Assembly (No. 17, No. 23~No. 37)		238152		60	Outside Lever	1	10325180	
25	Motor Case	1	23225461			Inside Lever	1	23215180	
27	Ball Bearing	1	06205Z00		61	Rubber (for Inside Lever)	1	23215A90	
28	Front End Plate	1	23225040		62	Spring Pin	1	040260SP	
29	Rotor	1	23225490		63	Needle Pin	1	040218NK	
30	Vane	5	23225500		64	Spring Pin	1	040360SP	
31A	Cylinder Assembly (No. 31, No. 32)		2325523		65	Hex. Cap Bolt	1	006120CB	
31	Cylinder	1	23225190		71	Spring Washer	4	008000SW	
32	Spring Pin	2	060180SP		72	Hex. Cap Bolt	4	008250CB	
33A	Rear End Plate Assembly (No. 33, No. 34)		2325522		75	Spring	1	10325231	
33	Rear End Plate	1	23225050		76	Steel Ball	1	00400USB	
34	Spring Pin	1	040100SP						
35	Ball Bearing	1	06204000						
36	Motor Case Packing	1	23225351						