

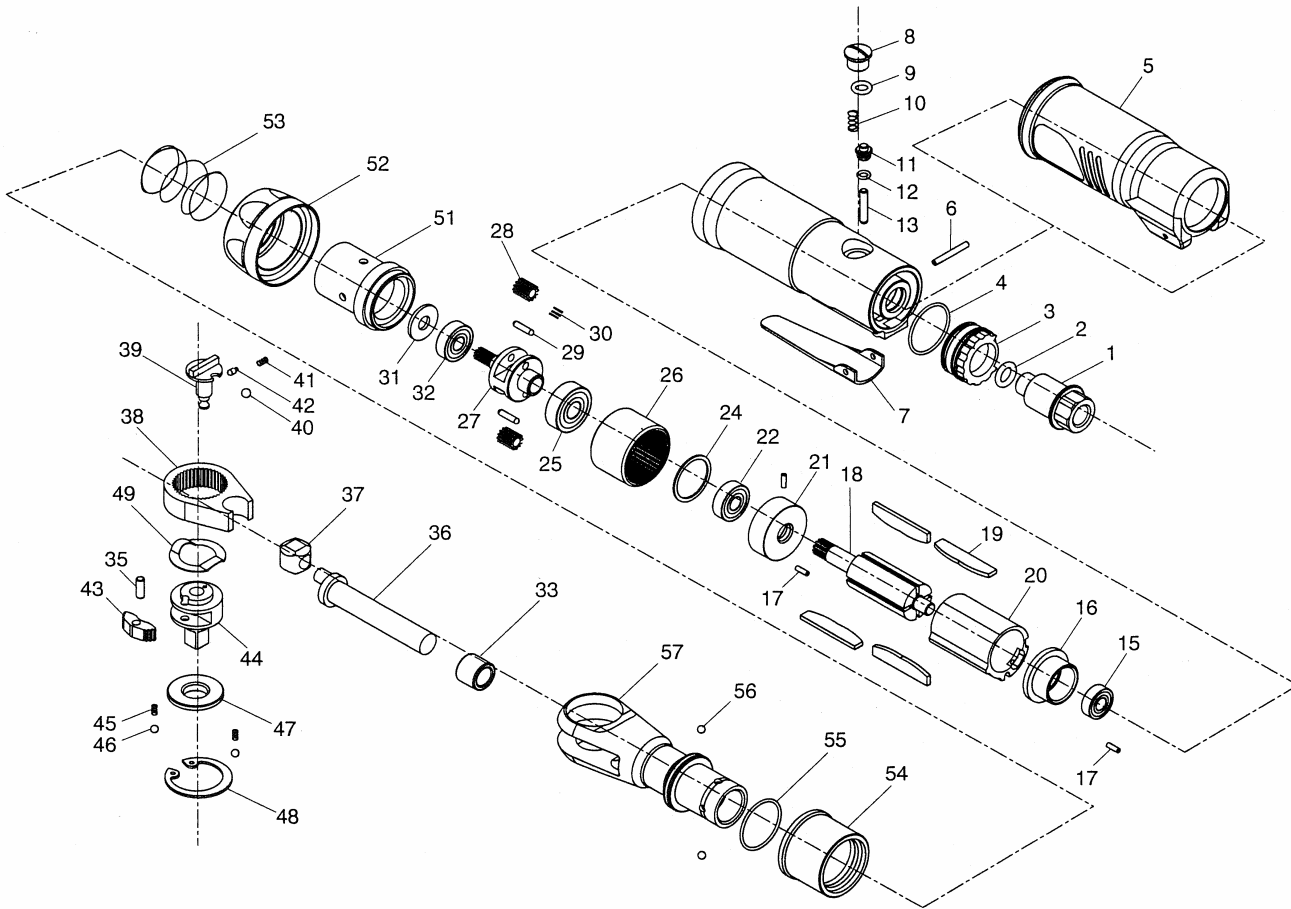


# Model No. KPT-3170 & 3175

## 3/8" & 1/2" RATCHET WRENCH

### ROTATIONAL HEAD

EXPLODED VIEW



### PARTS LIST

2006. 11

◆Parts may be changed with or without notice for improvement.

PARTS No.	NAME OF PARTS	PER SET	PARTS CODE	PARTS No.	NAME OF PARTS	PER SET	PARTS CODE
1	Swivel Inlet Bushing	1	317101	30	Needle Roller	22	317130
2	O-Ring	1	317102	31	Washer	1	317131
3	Exhaust Sleeve	1	317103	32	Ball Bearing	1	317132
4	O-Ring	1	317104	33	Needle Bearing	1	317133
5	Housing Cover	1	317105	35	Dowel Pin	1	317135
6	Spring Pin	1	317106	36	Crank Shaft	1	317136
7	Throttle Lever	1	317107	37	Drive Bushing	1	317137
8	Valve Screw	1	317108	38	Yoke	1	317138
9	Valve Screw O-Ring	1	317109	39	Reverse Button (3/8")	1	317139
10	Throttle Valve Spring	1	317110	40	Reverse Button (1/2")	1	317639
11	Throttle Valve	1	317111	41	Steel Ball	1	317140
12	Throttle Valve O-Ring	1	317112	42	Ratchet Spring	1	317141
13	Throttle Plunger	1	317113	43	Lock Pin	1	317142
14	Motor Housing	1	317114	44	Ratchet Pawl	1	317143
15	Ball Bearing	1	317115	45	Ratchet Anvil (3/8")	1	317144
16	Rear End Plate	1	317116	46	Ratchet Anvil (1/2")	1	317644
17	Spring Pin	3	317117	47	Spring	2	317145
18	Rotor	1	317118	48	Steel Ball	2	317146
19	Rotor Blade	4	317119	49	Thrust Washer (3/8")	1	317147
20	Cylinder	1	317120	50	Thrust Washer (1/2")	1	317647
21	Front End Plate	1	317121	51	Retaining Ring	1	317148
22	Ball Bearing	1	317122	52	Spacer	1	317149
23	Clamp Nut	1	317123	53	Housing Receiver	1	317051
24	Washer	1	317124	54	Coupling Nut	1	317052
25	Ball Bearing	1	317125	55	Spring	1	317053
26	Internal Gear	1	317126	56	Adjust Ring	1	317054
27	Planet Cage	1	317127	57	O-Ring	1	317055
28	Planet Gear	2	317128		Steel Ball	2	317056
29	Planet Pin	2	317129		Ratchet Housing	1	317057