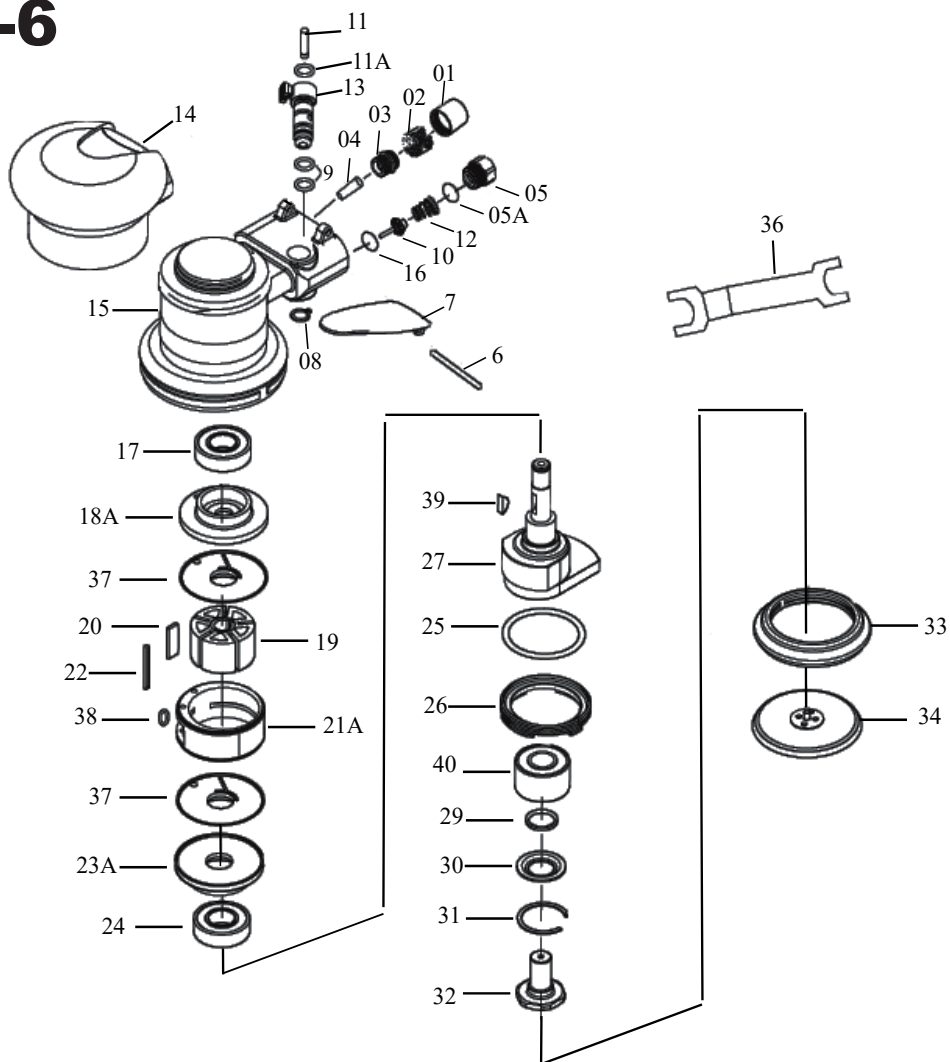


MODEL KPT-7718-6 6" D/A Sander

Pad Size	150 mm
Orbit Dia.	5 mm
Pad Type	MP
Free Speed	12,000 rpm
Air Consumption	345 L/min
Overall Length	135 mm
Net Weight	0.8 kg
Air Inlet	1/4"



Parts List

NO.	Parts Name	Q'ty	NO.	Parts Name	Q'ty
1	Cover	1	19	Rotor	1
2	Felt	1	20	Rotor Blade	5
3	Muffler Body	1	21A	Cylinder	1
4	Cone Muffler	1	22	Spring Pin	1
5	Inlet Bushing	1	23A	Front Plate	1
05A	Washer	1	24	Ball Bearing	1
6	Spring Pin	1	25	O-Ring	1
7	Lever	1	26	Safeguard Bushing	1
8	Snap Ring	1	27	Motor Shaft Balancer 5mm	1
9	O-Ring	2	29	Felt Ring	1
10	Valve Pin	1	30	Bearing Shield	1
11	Valve Stem	1	31	Snap Ring	1
11A	O-Ring	1	32	Shaft	1
12	Spring	1	33	Shroud	1
13	Lever	1	34	Pad	1
14	Rubber Cover	1	36	Wrench	1
15	Housing	1	37	Steel Plate	2
16	Seal	1	38	O-Ring	1
17	Ball Bearing	1	39	Key	1
18A	Rear Plate	1	40	Ball Bearing	1