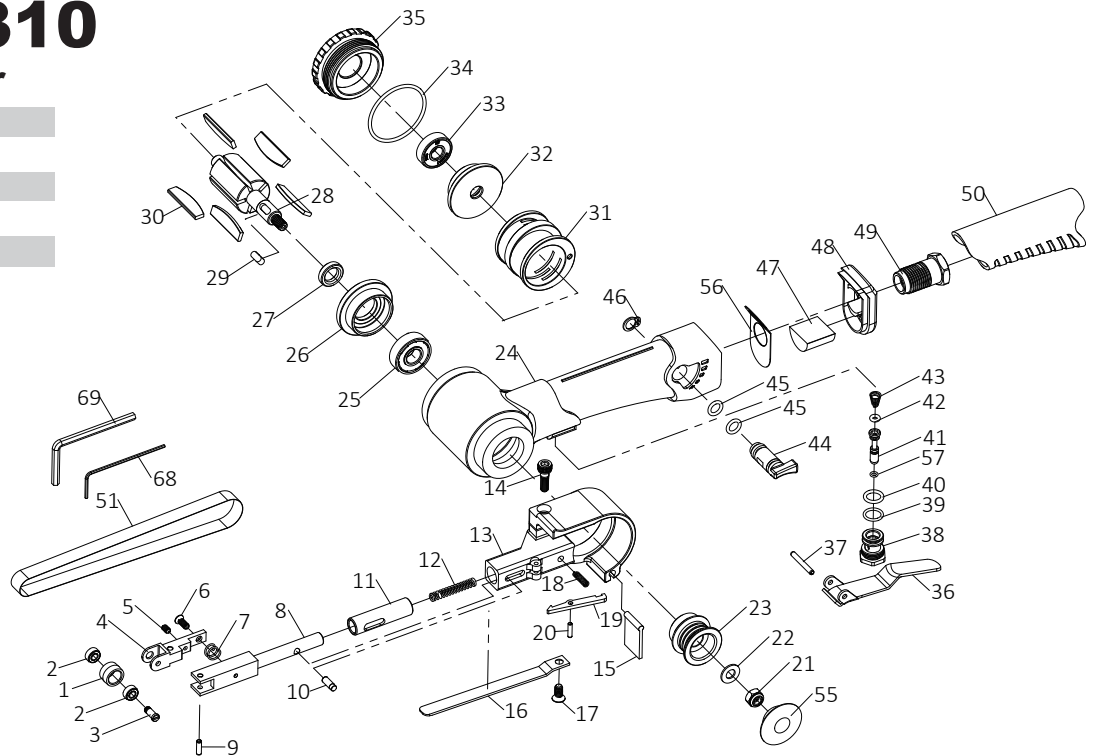


MODEL KPT-7310 10mm Belt Sander

Belt Size	10x330 mm
Free Speed	16,000 rpm
Air Consumption	698 L/min
Overall Length	320 mm
Net Weight	0.9 kg
Air Inlet	1/4"



Parts List

NO.	Parts Name	Q'ty	NO.	Parts Name	Q'ty
1	Idle Pulley	1	30	Rotor Blade	5
2	Ball Bearing (684zz)	2	31	Cylinder	1
3	Idle Pulley Screw	1	32	Rear End Plate	1
4	Bracket 10	1	33	Ball Bearing (608zz)	1
5	Set Screw(M3x5)	1	34	O-Ring(S38)	1
6	Hexagon Socket Headless Set Screw	1	35	Cap	1
7	Spring	1	36	Throttle Lever	1
8	Tension Bar	1	37	Spring Pin (Ø3x20)	1
9	Spring Pin(Ø3x10)	1	38	Valve Body	1
10	Stopper Pin	1	39	O-Ring (S11.2)	1
11	Guard Bushing	1	40	O-Ring(P9)	1
12	Tension Spring	1	41	Valve Stem	1
13	Guard Sub Ass'y 11	1	42	O-Ring (P3)	1
14	Head Cap Screw (M5×15)	1	43	Valve Spring	1
15	Dust Cover	1	44	Air Regulator	1
16	Shoe	1	45	O-Ring (P7)	2
17	Hexagon Socket Headless Set Screw	1	46	External Stop Ring (STW-8)	1
18	Stopper Spring	1	47	Muffle	1
19	Stopper	1	48	Exhaust Diffuser	1
20	Spring Pin (Ø2.5x10)	1	49	Inlet Bushing	1
21	Hexagon Nut (M6)	1	50	Housing Cover	1
22	Washer (M6)	1	51	Grinding Belt (#100×10)	1
23	Drive Pulley	1	52	Grinding Belt (#80×10)	1
24	Housing	1	53	Grinding Belt (#120×10)	1
25	Ball Bearing(6000ZZ)	1	55	Pulley Cover	1
26	Front End Plate	1	56	Washer	1
27	Spacer	1	57	O-Ring (ID3x1)	1
28	Rotor	1	68	Hex. Wrench	1
29	Parallel Key Both Ends Round 4×4×9.5	1	69	Hex. Wrench	1
KPT-7310-RK		#1,#2x2,#3,#12#,18#,25#,29,#30x5			