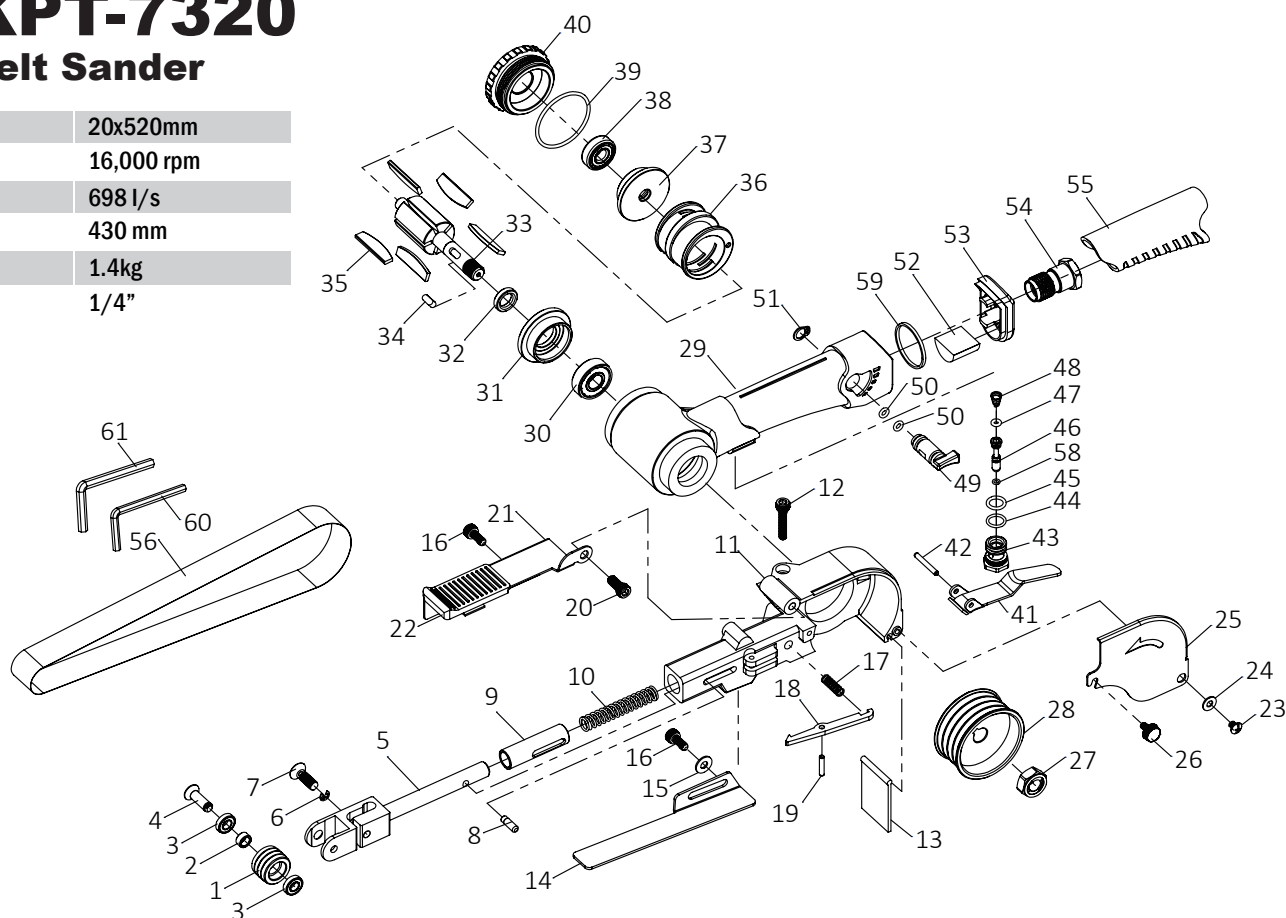


MODEL KPT-7320 20mm Belt Sander

Belt Size	20x520mm
Free Speed	16,000 rpm
Air Consumption	698 l/s
Overall Length	430 mm
Net Weight	1.4kg
Air Inlet	1/4"



Parts List

NO.	Description	Q'ty	NO.	Description	Q'ty
1	Idle Pulley	1	30	Ball Bearing (6000ZZ)	1
2	Washer	1	31	Front End Plate	1
3	Ball Bearing (686zz)	2	32	Spacer	1
4	Idle Pulley Screw (M6×16)	1	33	Rotor	1
5	Tension Bar	1	34	Parallel Key Both Ends Round 4×4×9.5	1
6	E-Ring (E3)	1	35	Rotor Blade	5
7	Screw (M6×14)	1	36	Cylinder	1
8	Stopper Pin	1	37	Rear End Plate	1
9	Guard Bushing	1	38	Ball Bearing (608zz)	1
10	Tension Spring	1	39	O-Ring (S38)	1
11	Guard Sub Ass'y 9	1	40	Cap	1
12	Head Cap Screw (M5×30)	1	41	Throttle Lever	1
13	Dust Cover	1	42	Spring Pin (φ 3×20)	1
14	Shoe	1	43	Valve Body	1
15	Washer (M5)	1	44	O-Ring (S11.2)	1
16	Cap Screw (M5×10)	2	45	O-Ring (P-9)	1
17	Stopper Spring	1	46	Valve Stem	1
18	Stopper	1	47	O-Ring (P3)	1
19	Spring Pin (φ 3×12)	1	48	Valve Spring	1
20	Pan Head Screw (M6×10)	1	49	Air Regulator	1
21	Finger Plate	1	50	O-Ring (P7)	1
22	anti-slip spacer	1	51	External Stop Ring(STW-8)	2
23	Pan Head Screw (M4×6)	1	53	Exhaust Diffuser	1
24	Washer (M4)	1	54	Inlet Bushing	1
25	Belt Cover	1	55	Housing Cover	1
26	Decorative Screw (M4×8)	1	56	Grinding Belt (#100×20)	1
27	Hex.Nut M10	1	57	Grinding Belt (#80×20)	1
28	Drive Pulley	1	★59	Nonwoven abrasive belt (#240)	
29	Housing	1	60	O-Ring (AS-004)	1