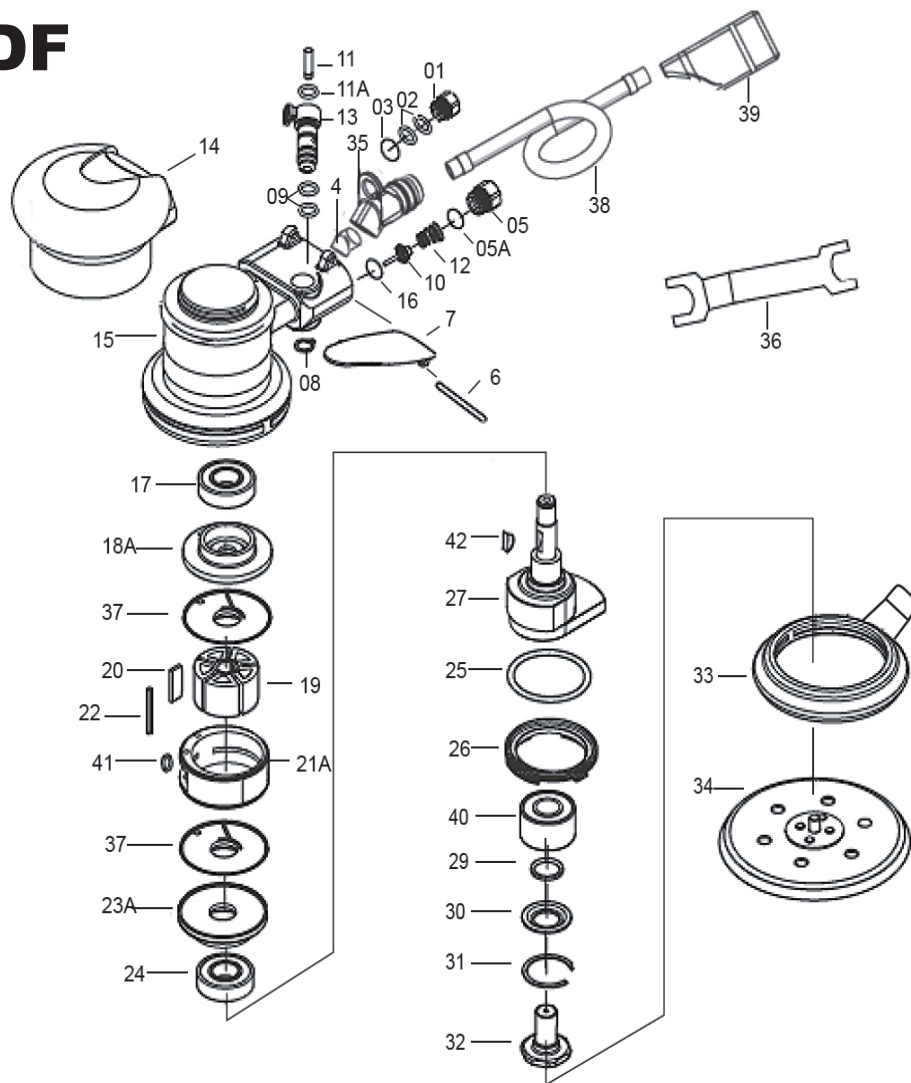


## MODEL **KPT-7718-6DF** 6" D/A Sander-Dust Free (Self Vacuum)

Pad Size	150 mm
Orbit Dia.	5 mm
Pad Type	MP
Free Speed	12,000 rpm
Air Consumption	345 L/min
Overall Length	220 mm
Net Weight	0.9 kg
Air Inlet	1/4"



### Parts List

NO.	Parts Name	Q'ty	NO.	Parts Name	Q'ty
1	Plug	1	21A	Cylinder	1
2	O-Ring	2	22	Spring Pin	1
3	Washer	1	23A	Front Plate	1
4	Elbow	1	24	Ball Bearing	1
5	Air Inlet	1	25	O-Ring	1
6	Spring Pin	1	26	Safe Guard Bushing	1
7	Lever	1	27	6" Motor Shaft Balancer 5mm	1
8	Snap Ring	1	29	Felt Ring	1
9	O-Ring	2	30	Bearing Shield	1
10	Valve	1	31	Snap Ring	1
11	Valve Stem	1	32	Shaft	1
11A	O-Ring	1	33	Shroud	1
12	Spring	1	34	6" Pad	1
13	Lever	1	35	Vacuum Adapter	1
14	Rubber Cover	1	36	Wrench	1
15	Housing	1	37	Steel Plate	2
16	Seal	1	38	Vacuum Hose	1
17	Ball Bearing	1	39	Bag	1
18A	Rear Plate	1	40	Ball Bearing(5001)	1
19	Rotor	1	41	O-Ring	1
20	Rotor Blade	5	42	Key	1