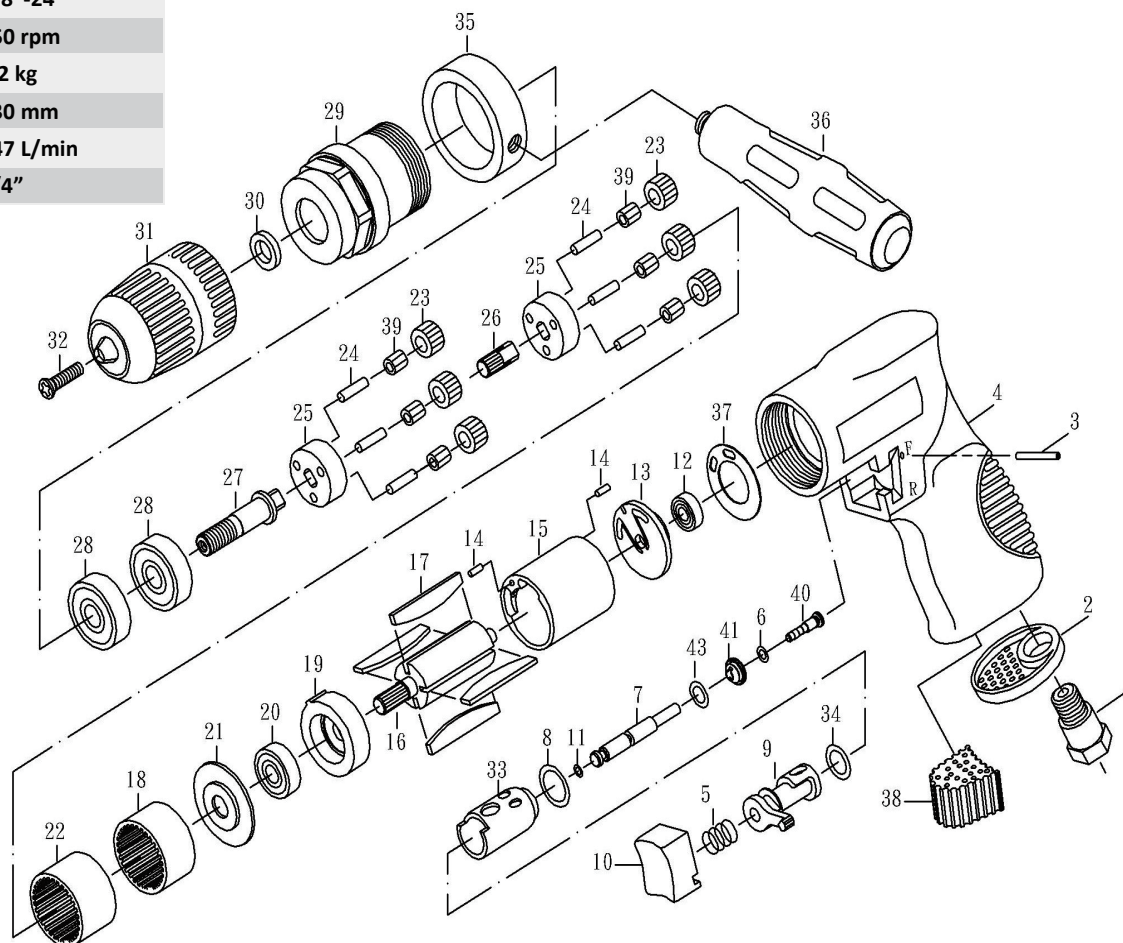


MODEL KPT-3871 1/2" Drill

Chuck Capacity	10 mm
Spindle Thread	3/8"-24
Free Speed	450 rpm
Net Weight	1.2 kg
Overall Length	230 mm
Air Consumption	747 L/min
Air Inlet	1/4"



Parts List

NO.	Parts Name	Q'ty	NO.	Parts Name	Q'ty
1	Air Inlet	1	22	Gear Link	1
2	Exhaust Sleeve	1	23	Idler Gear (16t)	6
3	Pin	1	24	Pin	6
4	Housing	1	25	Gear Plate	2
5	Spring	1	26	Gear Shaft	1
6	O-Ring	1	27	Shaft	1
7	Valve Stem	1	28	Bearing (6200zz)	2
8	O-Ring	1	29	Clamp Nut	1
9	Reverse Lever	1	30	Washer	1
10	Trigger	1	31	1/2" Jacob Keyless	1
11	O-Ring(3.5*1.4)	1	32	Chuck Screw	1
12	Bearing (696zz)	1	33	Bushing	1
13	Rear Plate	1	34	O-Ring	1
14	Pin (2.5*6)	2	35	Handle Link	1
15	Cylinder	1	36	Handgrip	1
16	Rotor	1	37	Packing	1
17	Rotor Blade	4	38	Muffer	1
18	Gear Link	1	39	Needle Bearing	6
19	Front Plate	1	40	Valve Stem	1
20	Bearing (608zz)	1	41	Valve Stem Bushing	1
21	Washer	1	43	O-Ring (As010)	1