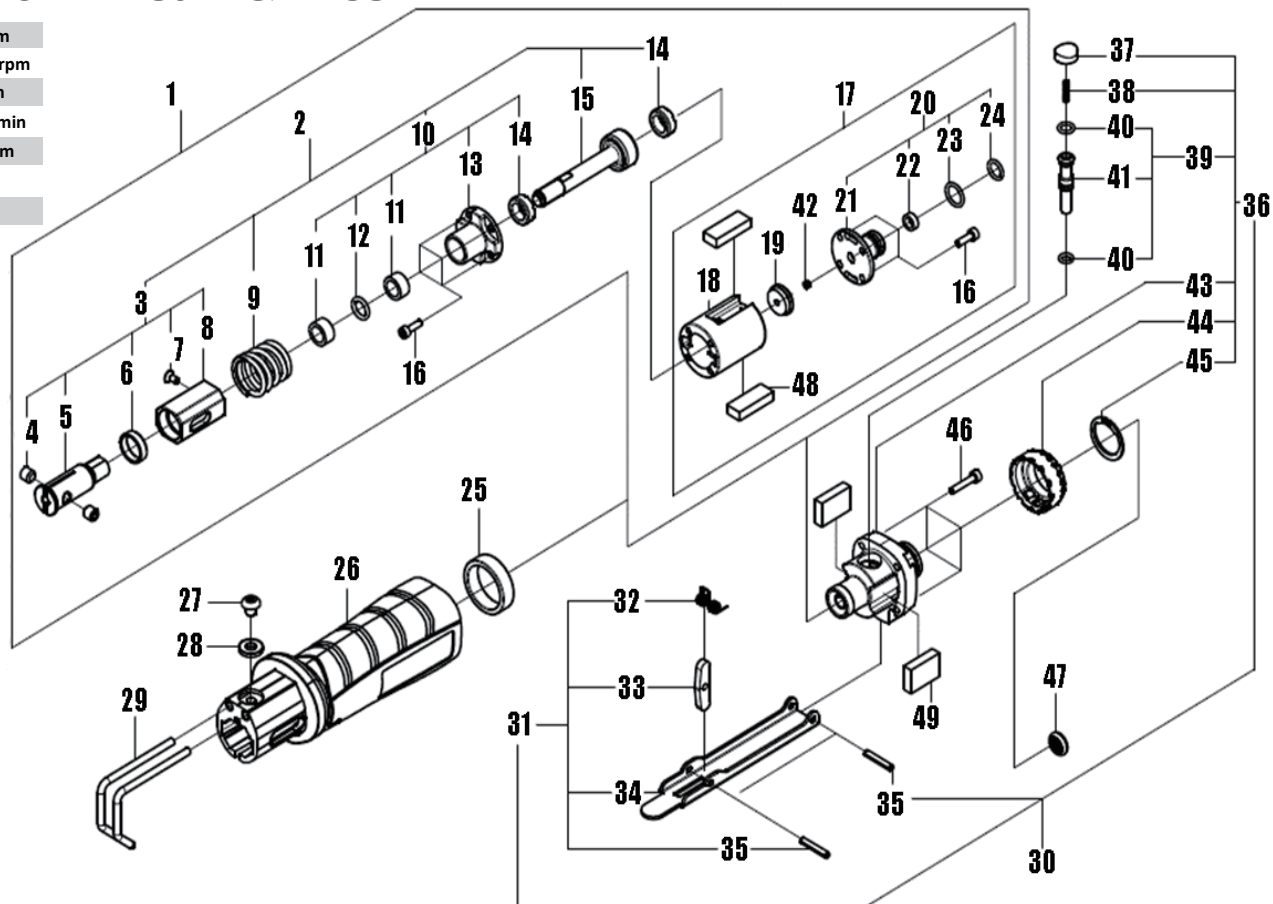


MODEL KPT-0511 Low Vibration Air Saw & Files

Hose Size	9.5 mm
Free Speed	9,500 rpm
Stroke	10 mm
Air Consumption	100 l/min
Overall Length	160 mm
Net Weight	0.4 kg
Air Inlet	1/4"



Parts List

NO.	Description	Q'ty	NO.	Description	Q'ty
1	Cylinder Group	1	26	Main Body + Jacket ass'y	1
2	Cylinder Front Group	1	27	BHSC screw	1
3	Spindle Group	1	28	Washer	1
4	Bolt	1	29	Guide Rod	1
5	Spindle	1	30	Control Valves Whole Group	1
6	Rings	1	31	Safety Trigger Ass'y	1
7	Screw	1	32	Spring	1
8	Bush	1	33	Safety Trigger Ended Block	1
9	Conical Spring	1	34	Safety Trigger	1
10	Cylinder Head Group	1	35	Spring Pin	2
11	Copper Sleeve	2	36	Control Valves Group	1
12	O-ring Black	1	37	Rubber Plug	1
13	Cylinder Head	1	38	Spring	1
14	Bumper	2	39	Valve Stem Group	1
15	Piston Ass'y	1	40	O-ring	2
16	Hex Socket head Screw	2	41	Valve Stem	1
17	Cylinder After Group	1	42	Spring	1
18	Cylinder	1	43	Control Valve	1
19	Valve Plate	1	44	Exhaust Cover	1
20	Guide Valve Group	1	45	C-ring	1
21	Guide Valve	1	46	Screw	1
22	Guide Valve Bumper	1	47	Metal Filter	1
23	O-ring	1	48	Muffer #1	1
24	O-ring	1	49	Muffer #2	1
25	Body Bumper	1			